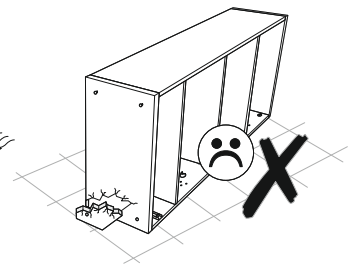
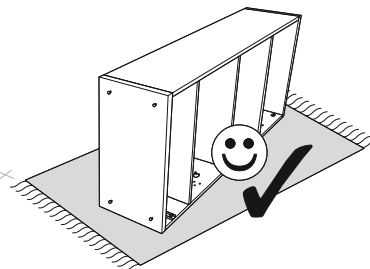
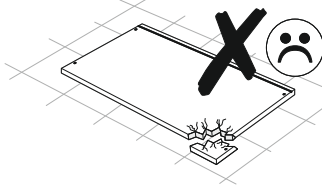
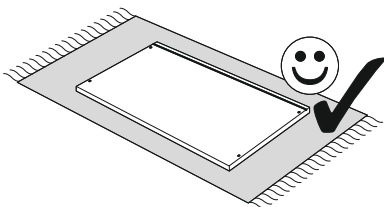
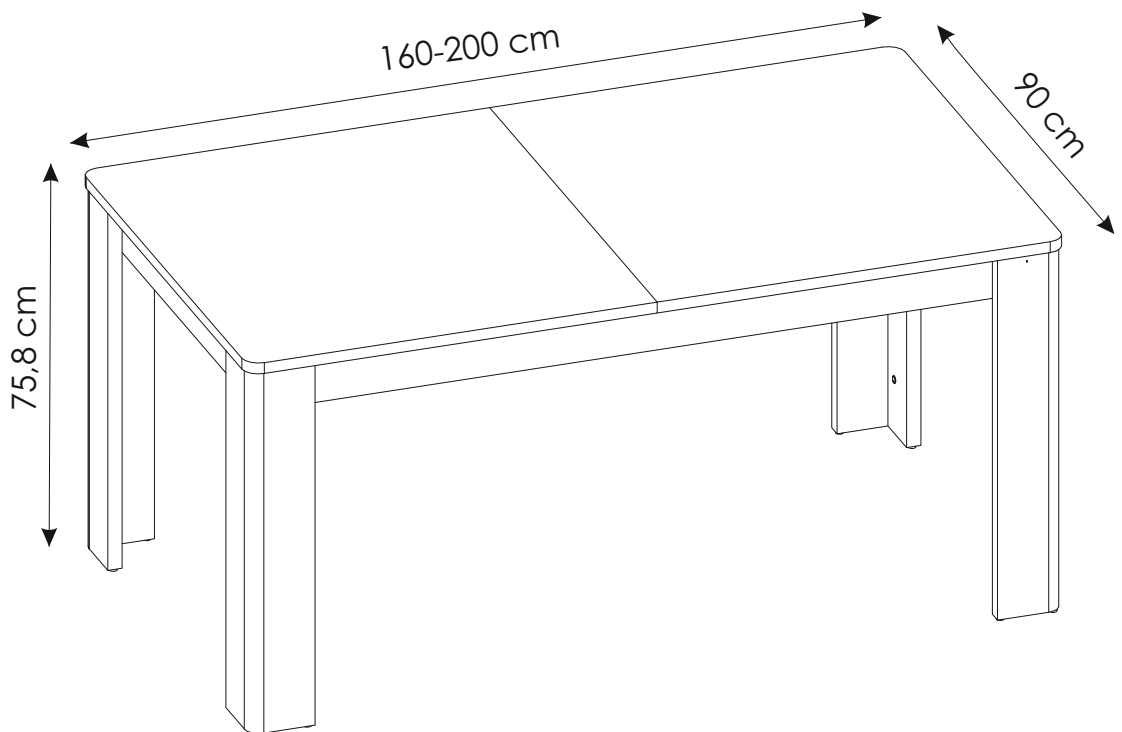
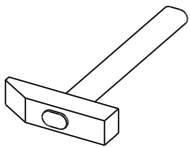
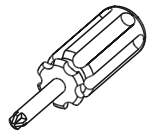
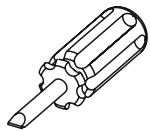
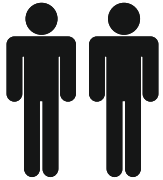
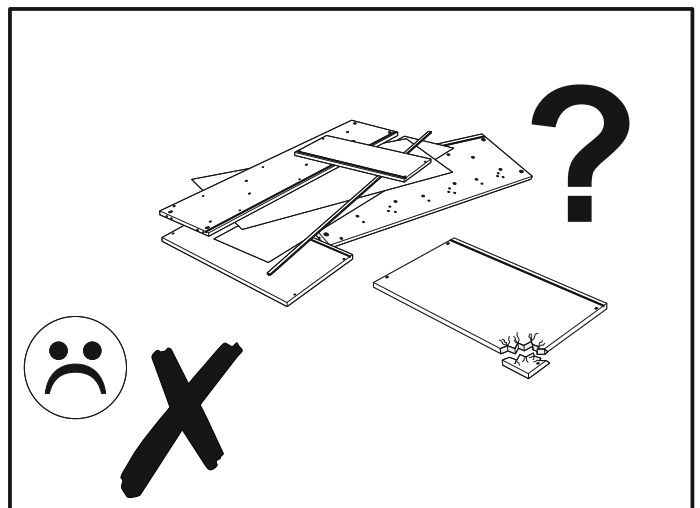
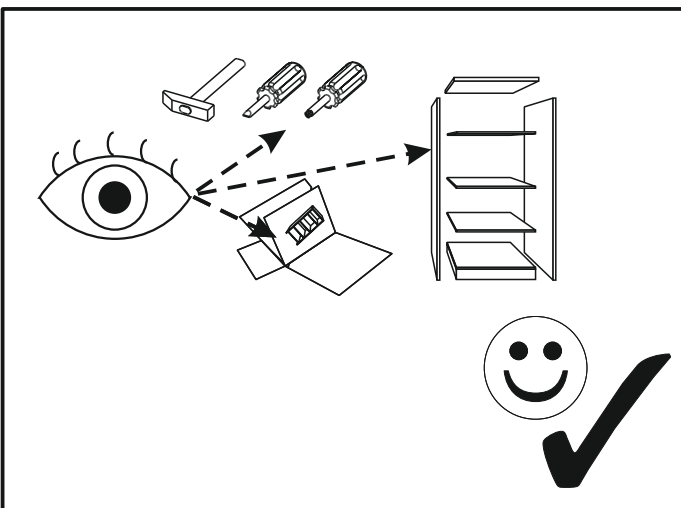
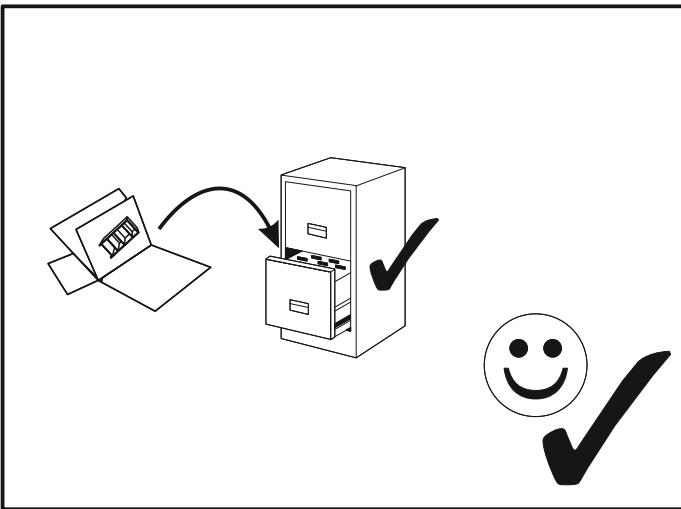
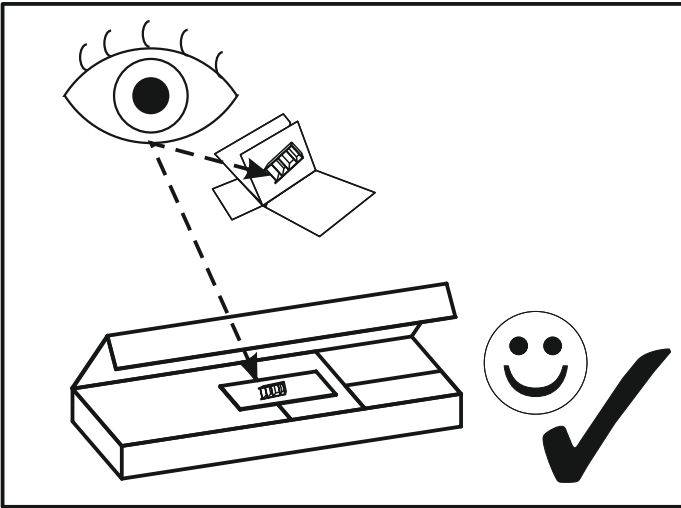


TOLEDO TOLT03

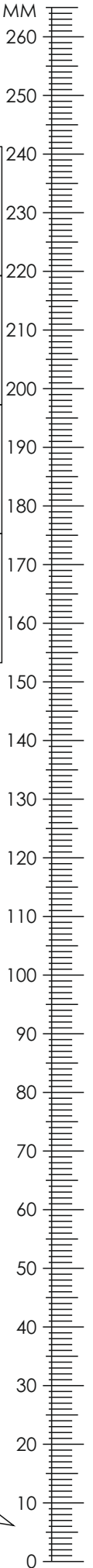




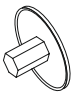

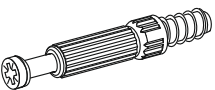
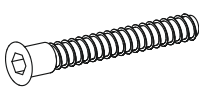


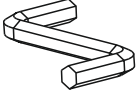
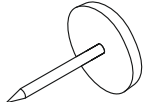

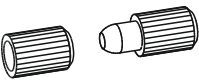
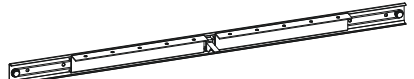
50 min

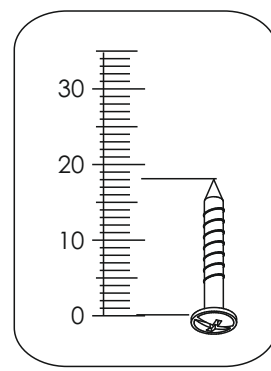




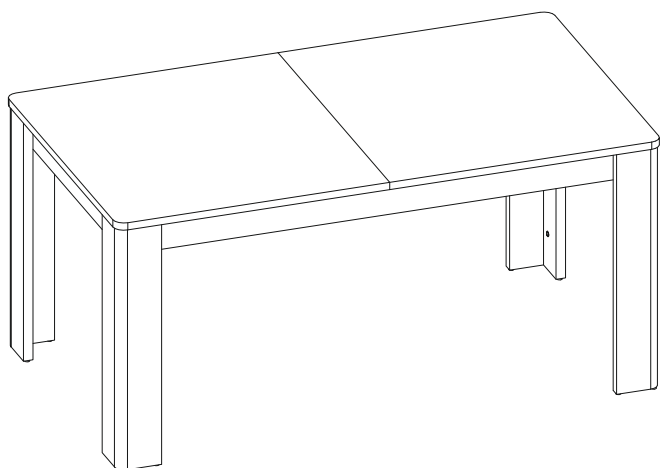
TOLEDO TOLT03



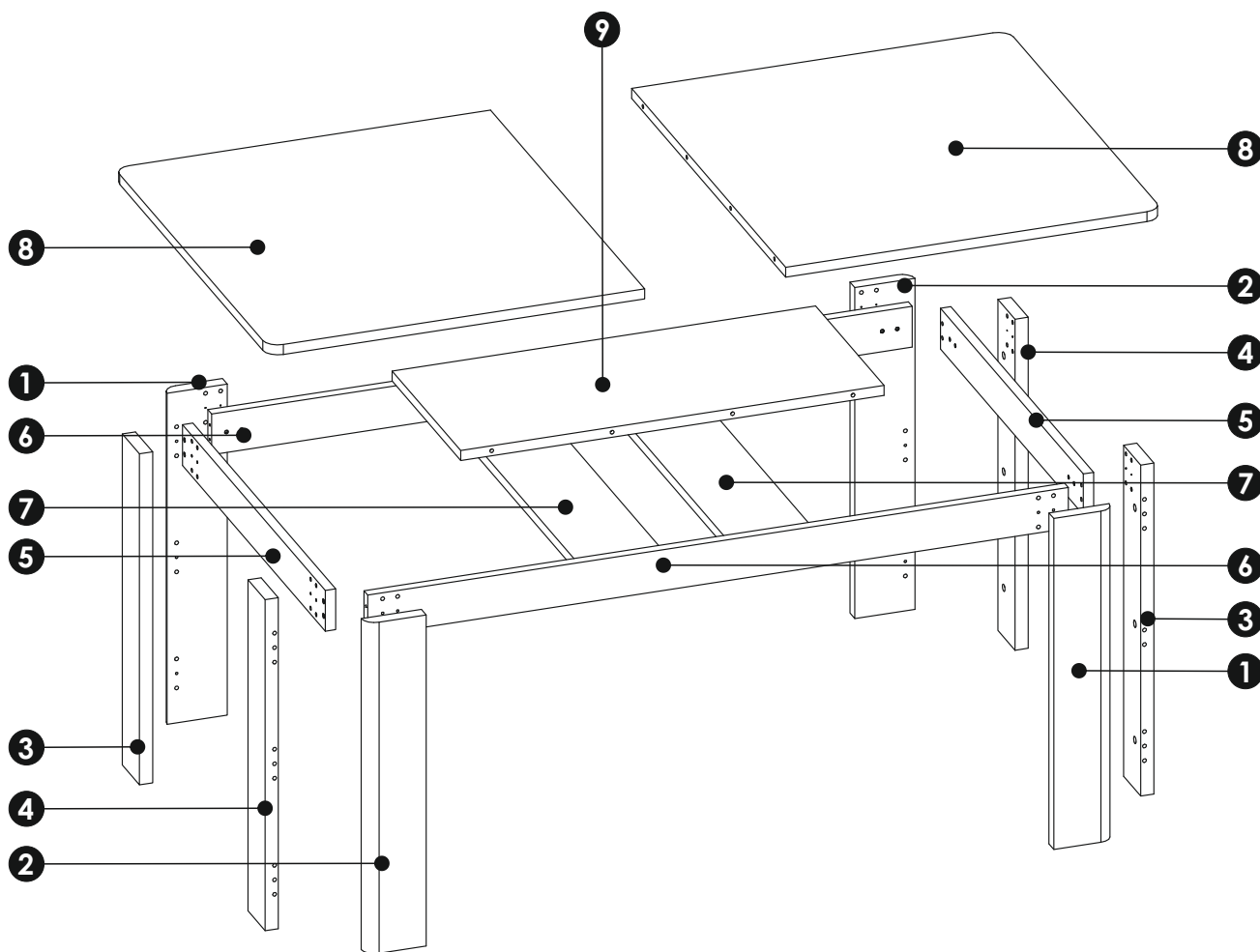
A0 8 x 24 mm x32 	A1 8 x 35 mm x32 	E0 x16 
E1 15 x 12 mm x16 	F1 6 x 34 mm x16 	G1 7 x 50 mm x8 
I3 4 x 20 mm x40 	J11 4 x 40 mm x16 	M x1 
O2 x12 	O2A ø20 x6 	R8 x8 
T9 L-700 x2 		

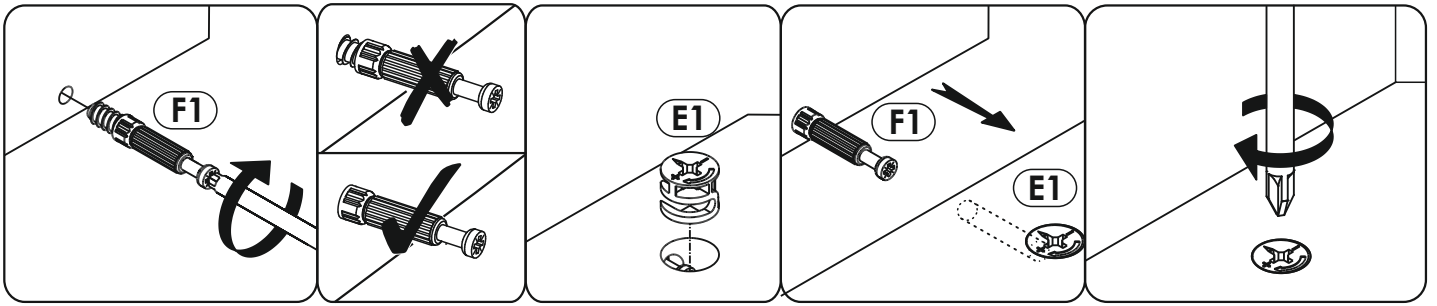


TOLEDO TOLT03

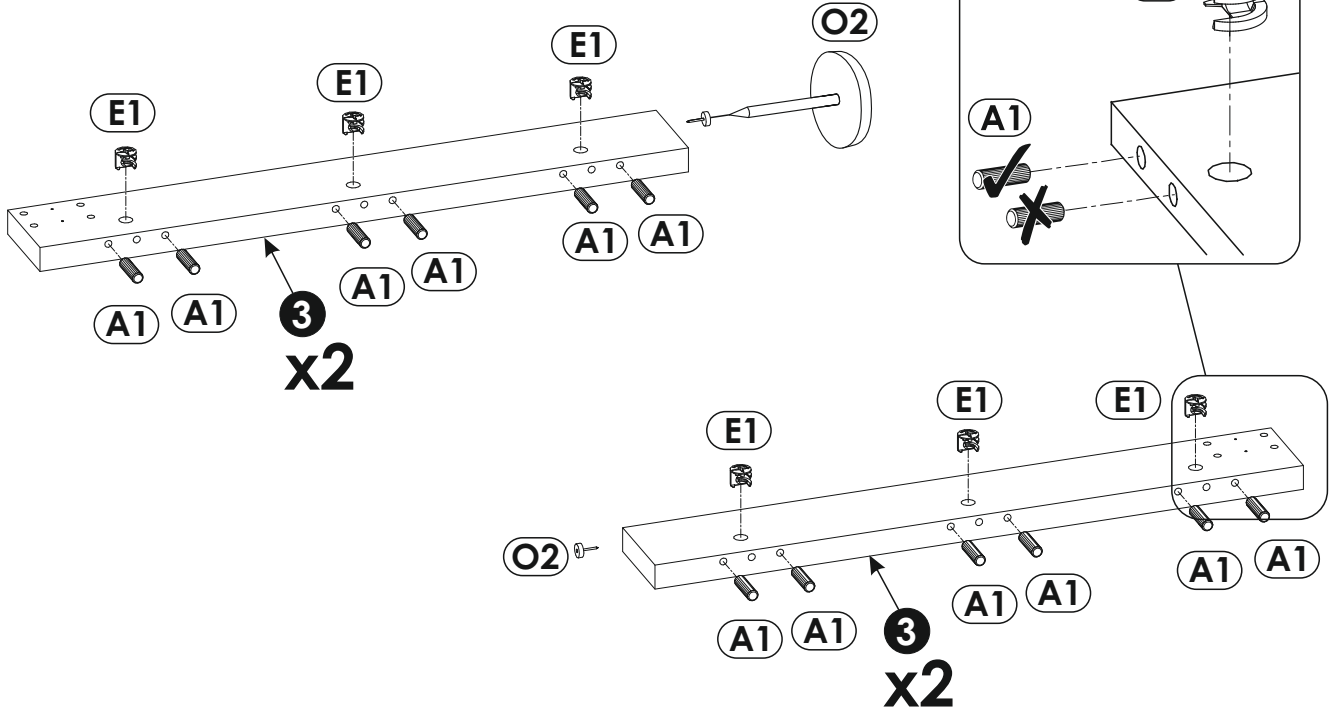


1	730	128	28	x2	1/2
2	730	128	28	x2	1/2
3	730	100	28	x2	1/2
4	730	100	28	x2	1/2
5	834	90	22	x2	1/2
6	1489	90	22	x2	1/2
7	790	180	22	x2	2/2
8	900	800	22	x2	2/2
9	900	400	22	x1	2/2

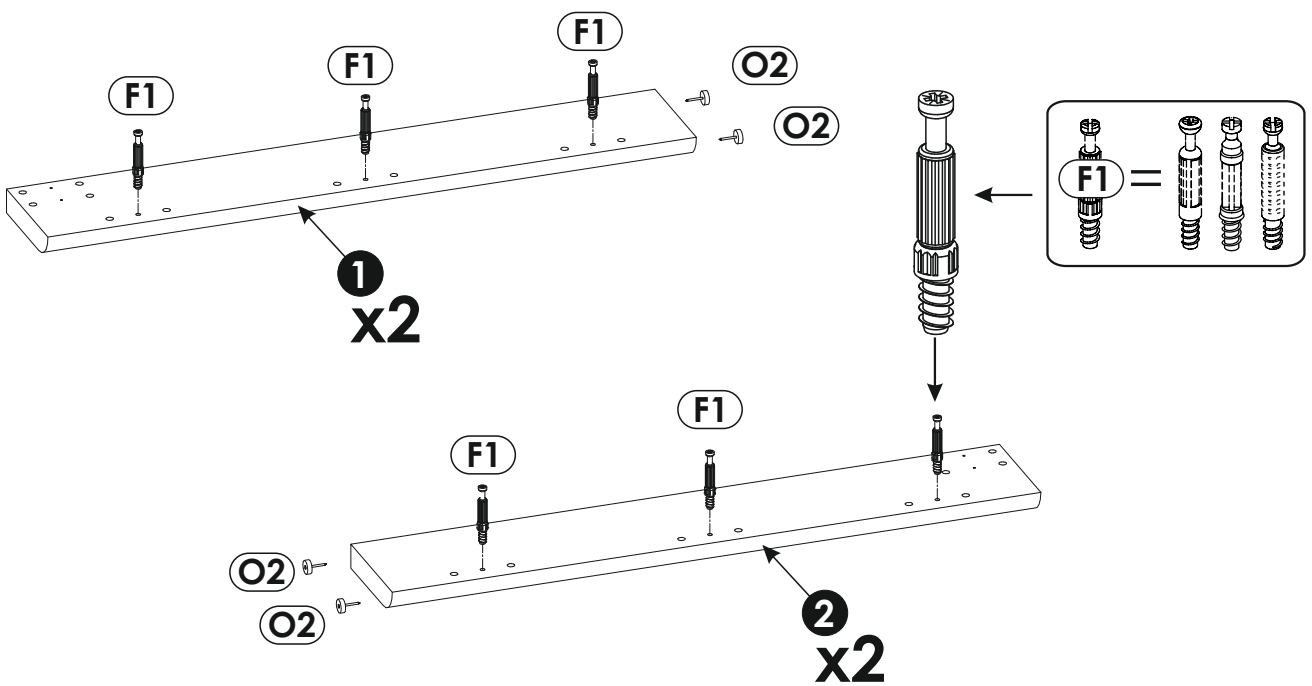




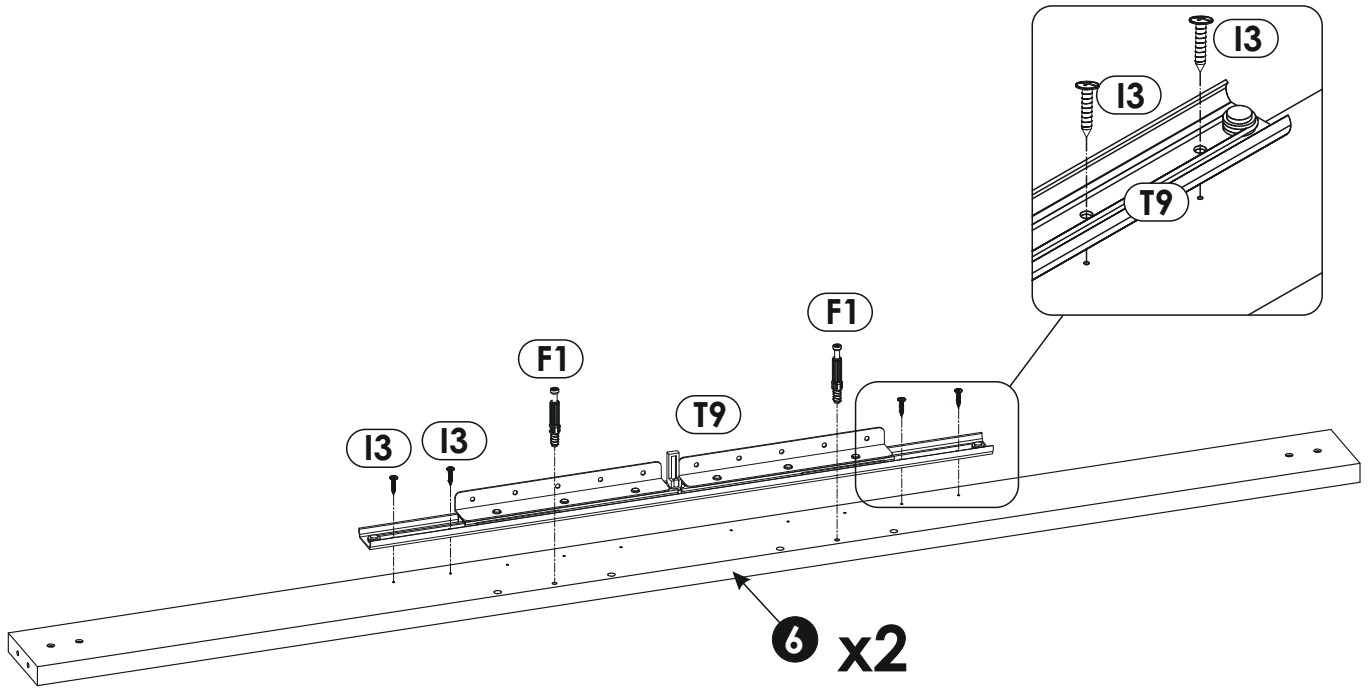
1 ▶



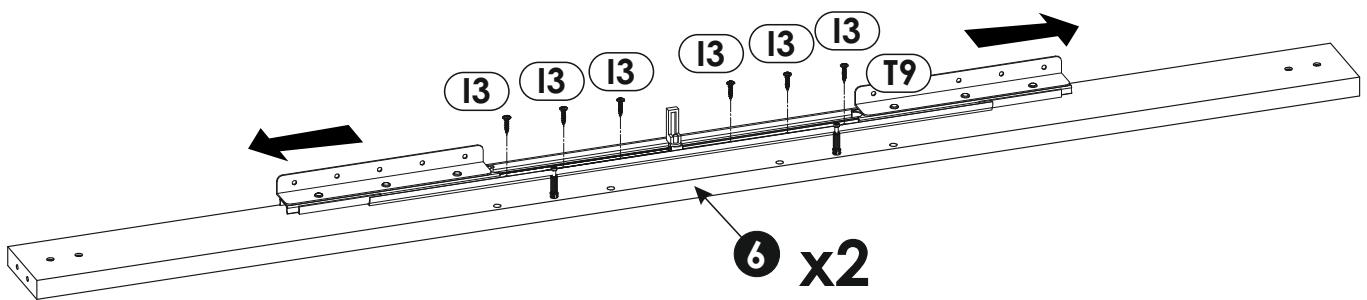
2 ▶



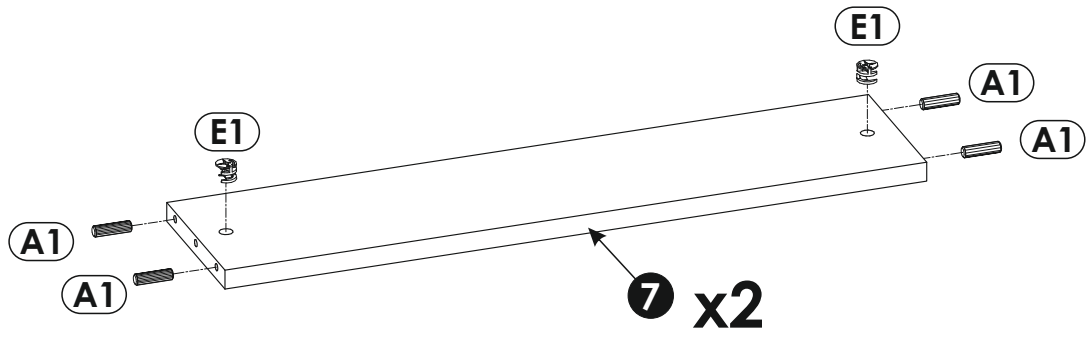
3 ▶



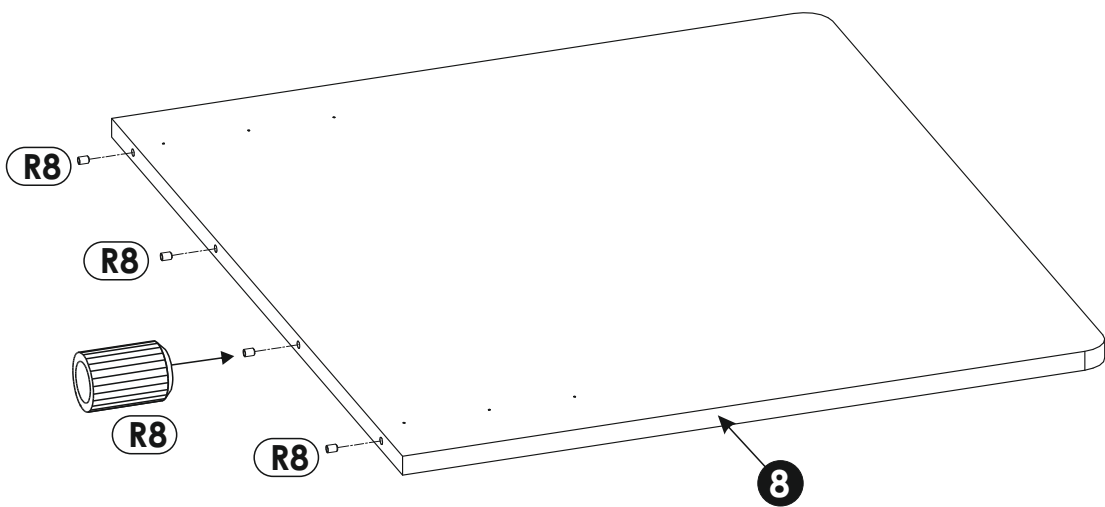
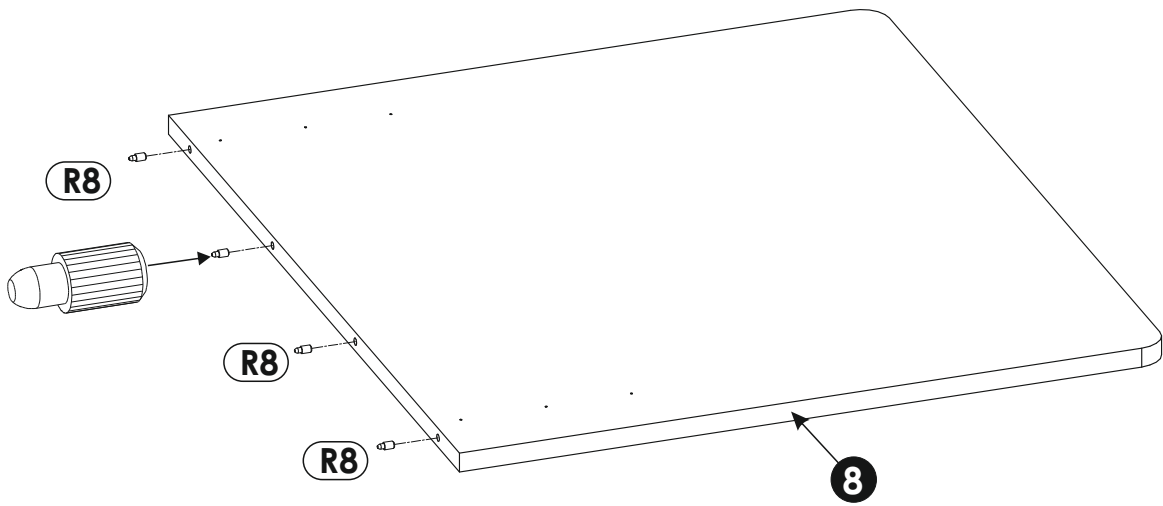
4 ▶



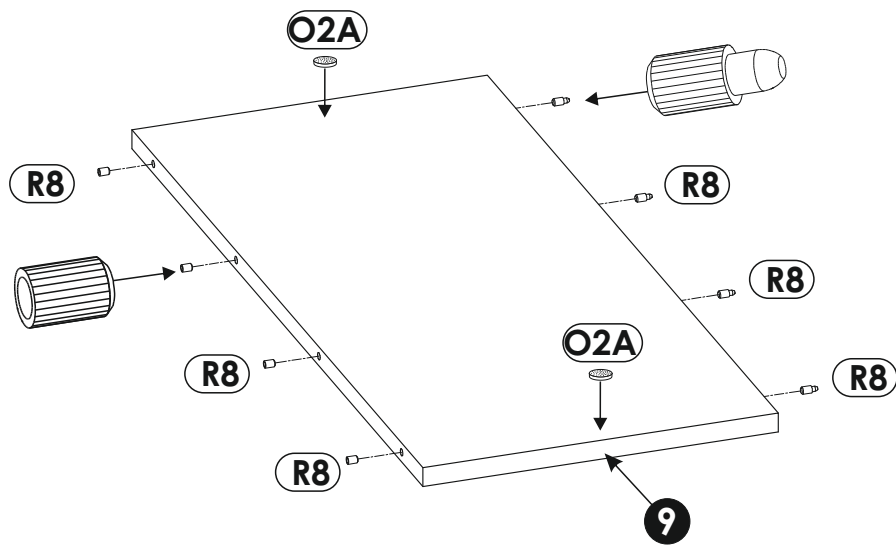
5 ▶



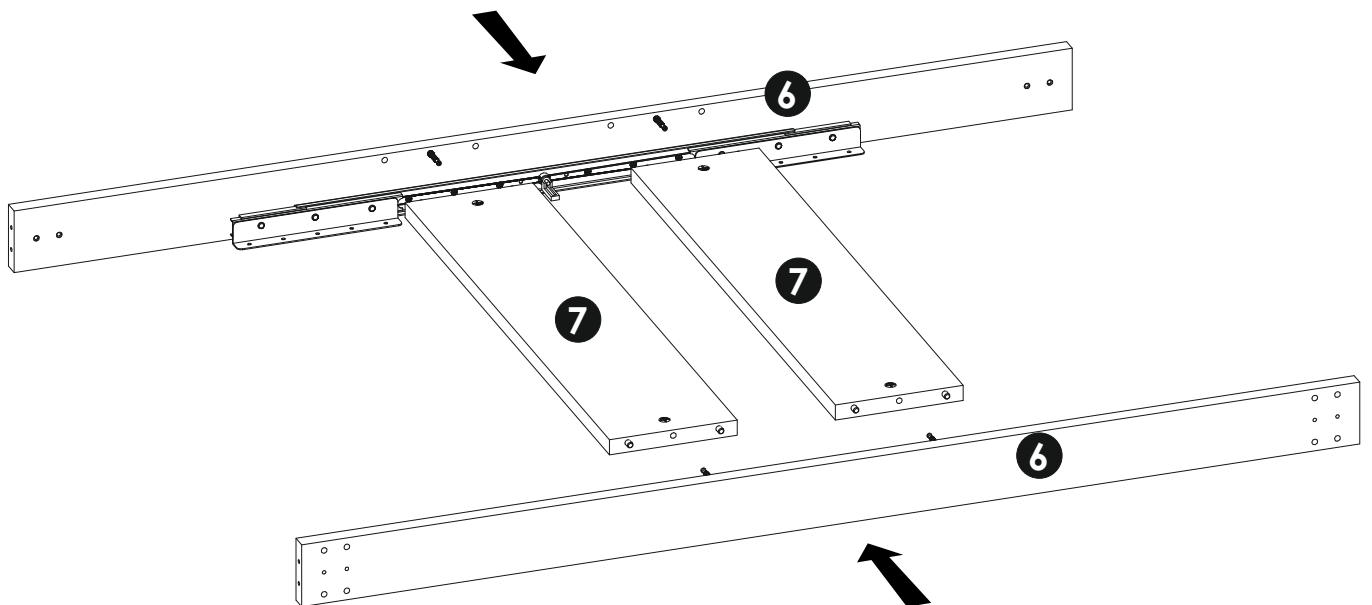
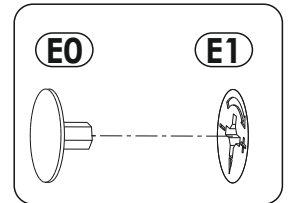
6 ▶



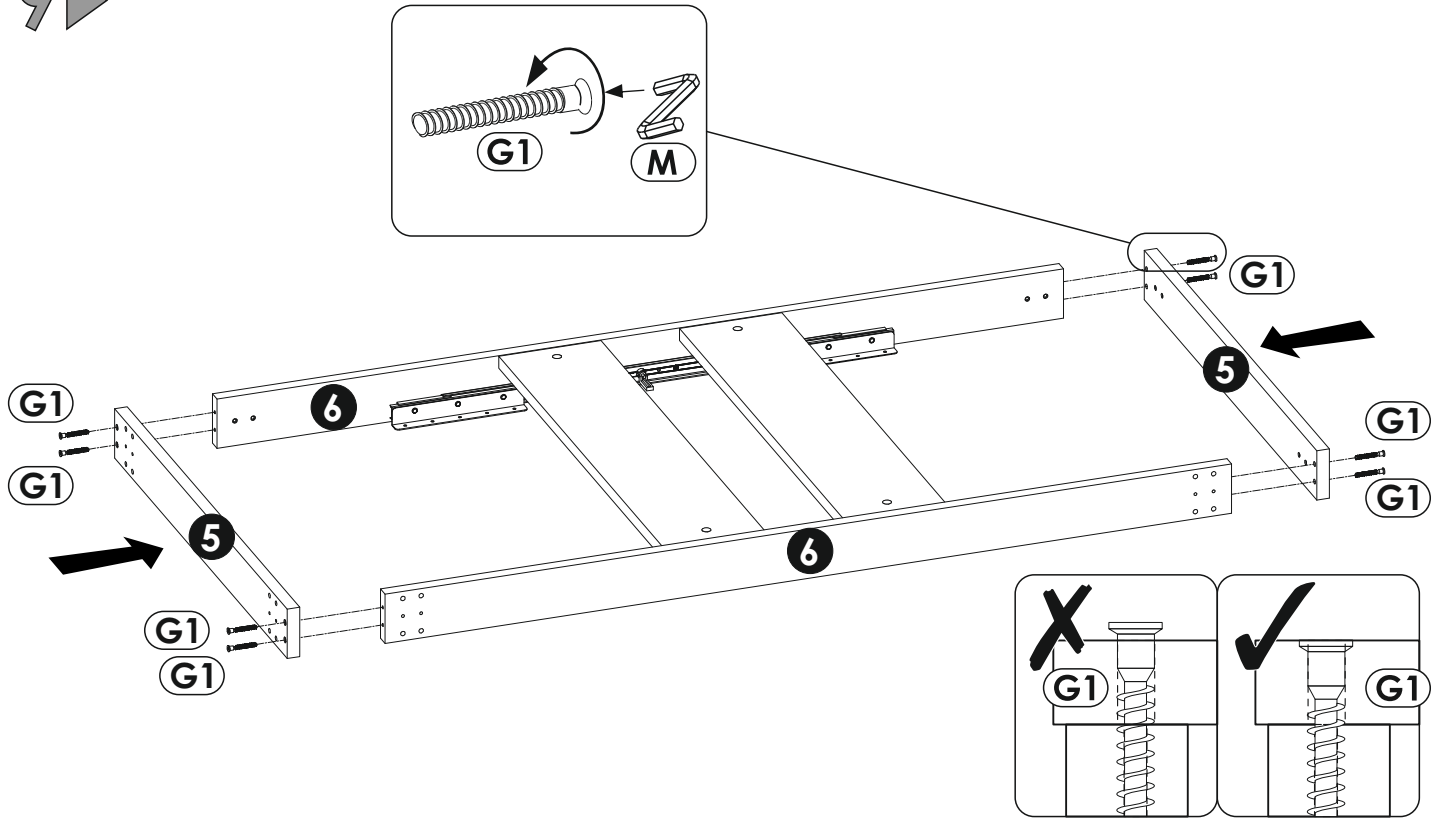
7 ▶



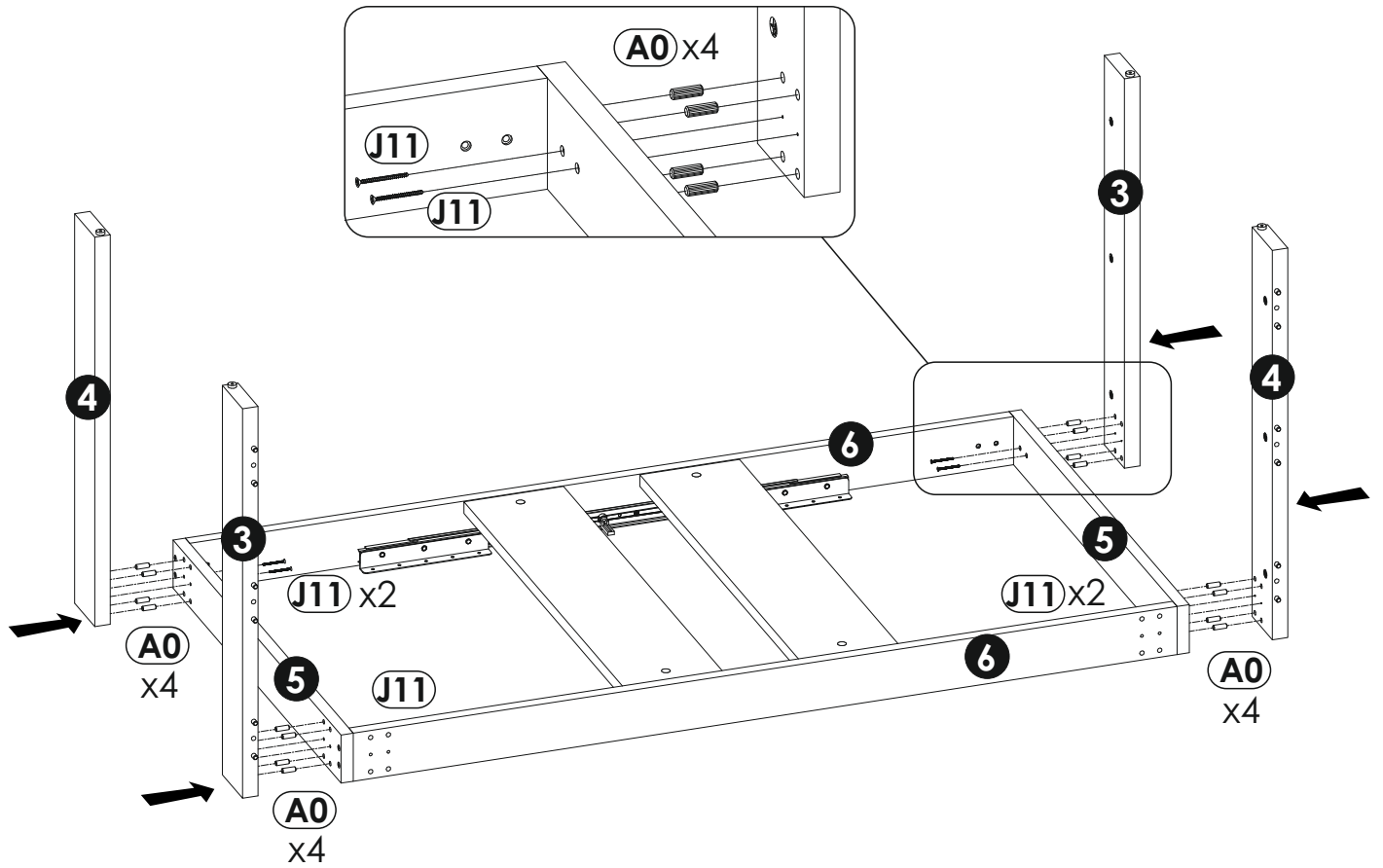
8 ▶

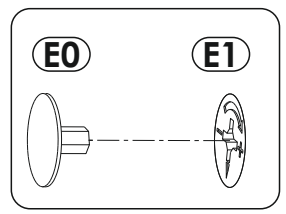
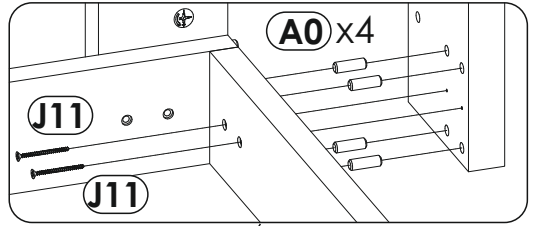
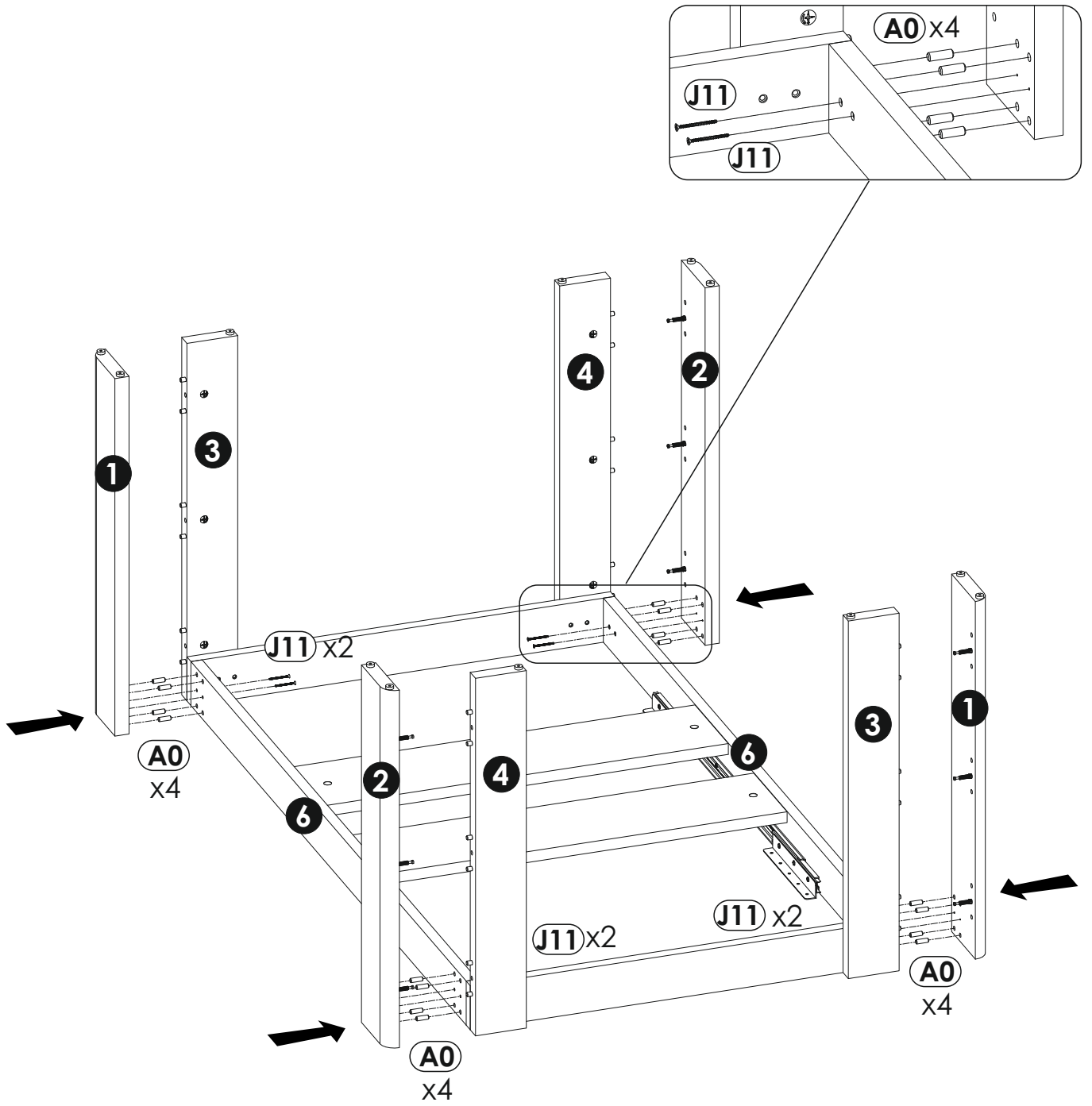


9 ▶

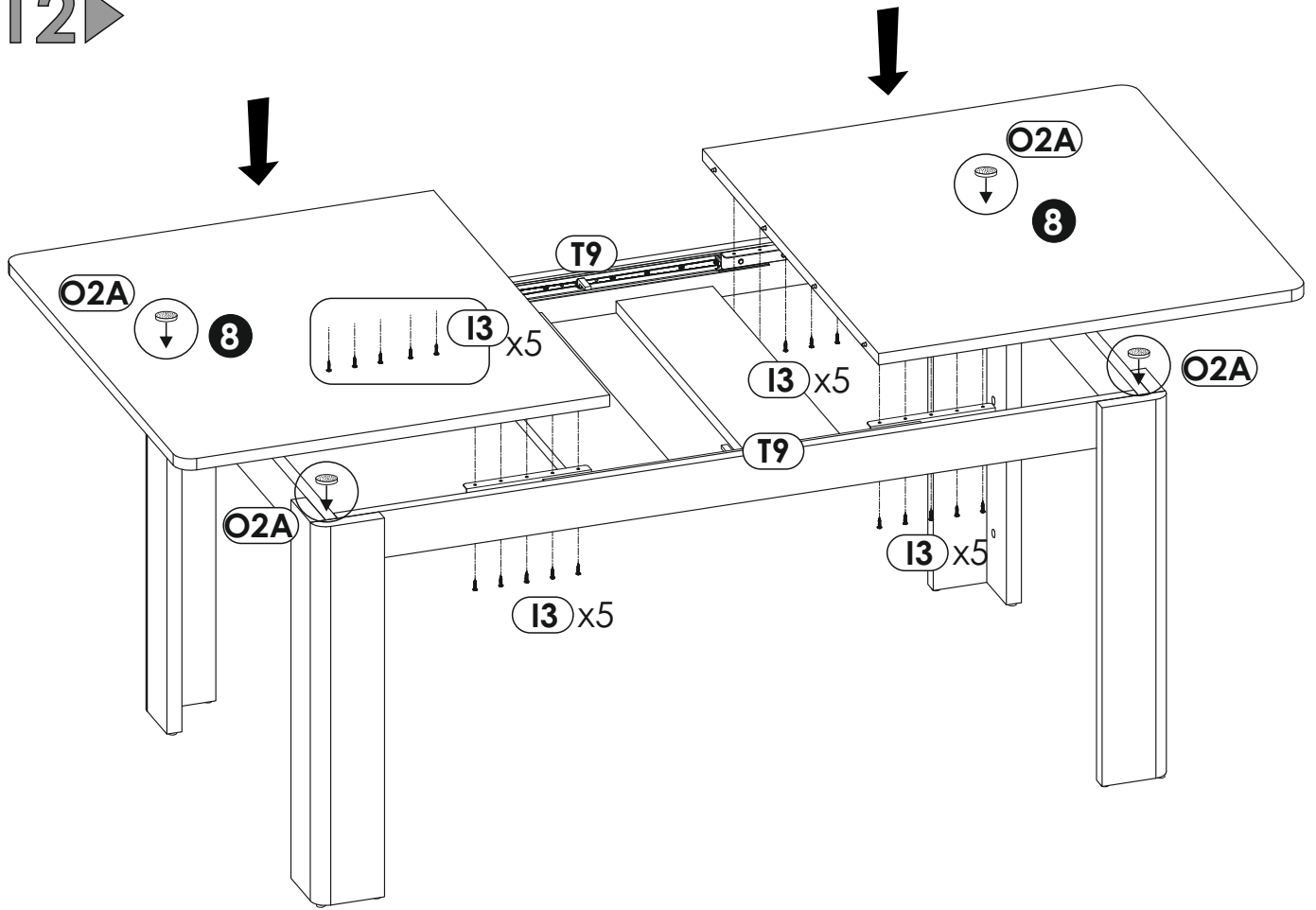


10 ▶

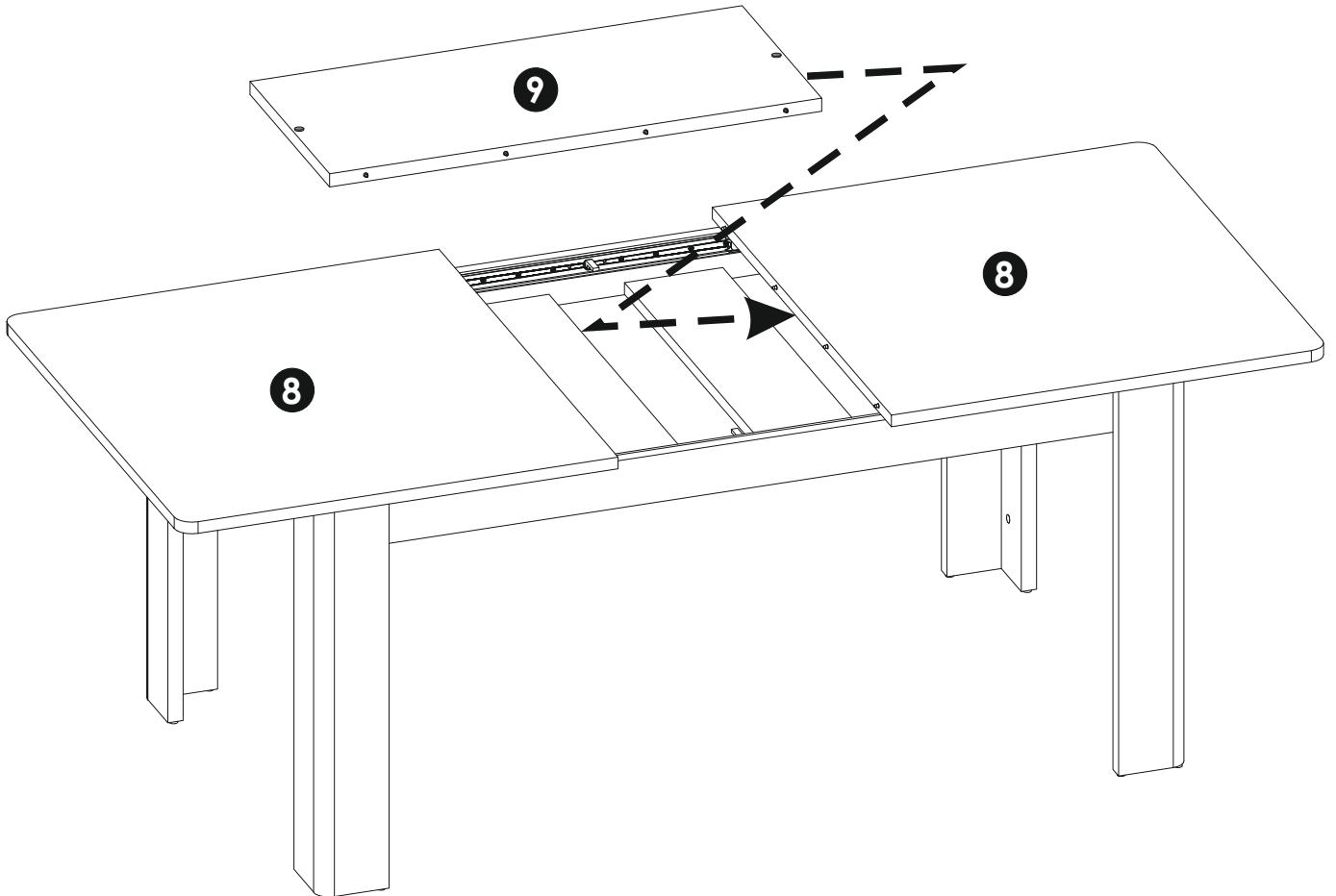




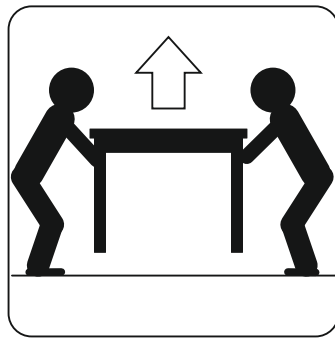
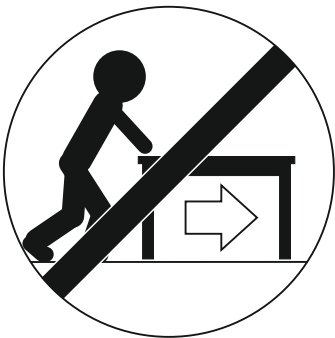
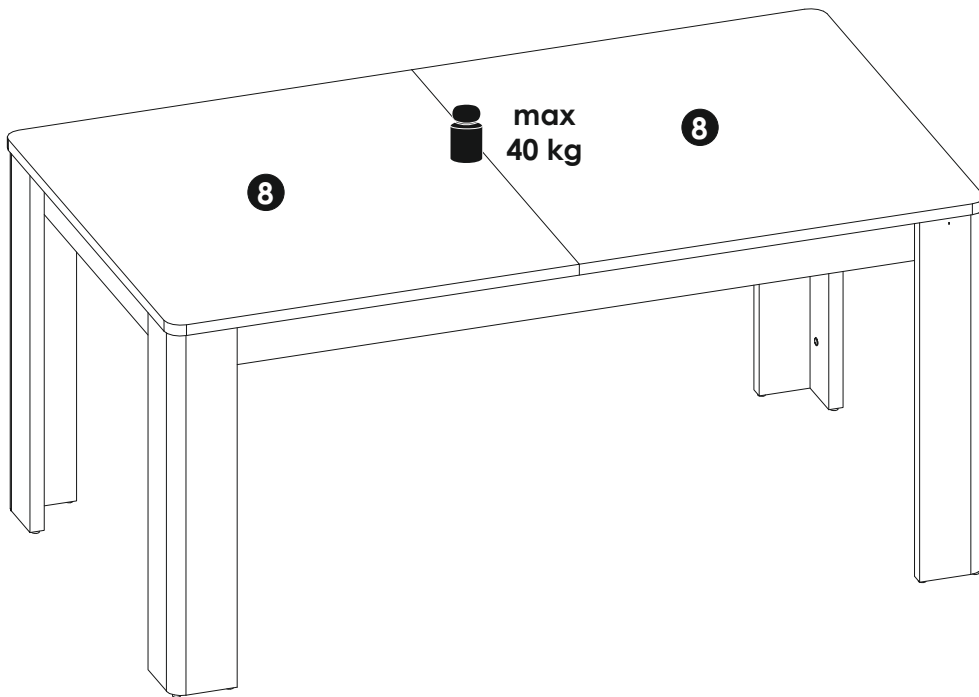
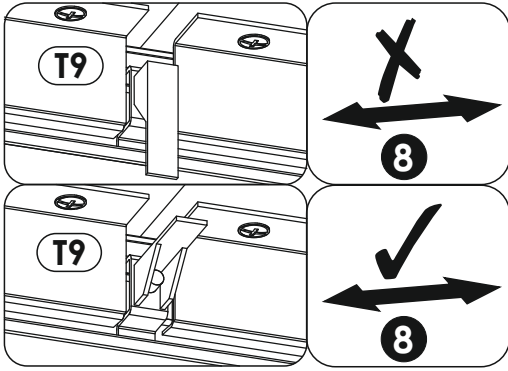
12▶

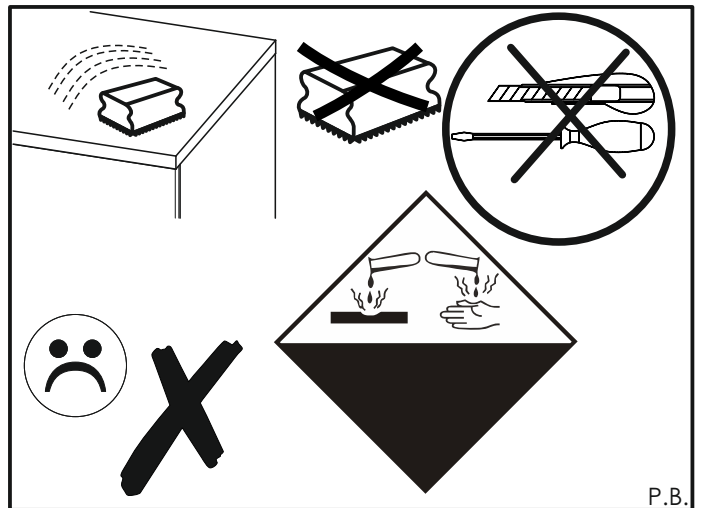


13▶



14▶





P.B.